

PERIPHERAL CARTRIDGE(1)				
DRILL RANGE	CARTRIDGE	CARTRIDGE SCREW	INSERT	INSERT SCREW
1.496 - 1.574	EJOZ05R	EJM305008BHCS	EJ1123-05	EJCSTB2.2
1.575 - 2.046	EJOZ402-04	EJM3.506010BHCS	EJ1123-04	EJCSTB2.5
2.047 - 2.519	EJOZ402-32	EJM508012BHCS	EJ1123-32	EJCST3.5D
2.520 - 2.676	EJOZ402-43	EJM610016BHCS	EJ1123-43	EJCSTB4M
2.677 - 3.070	EJOZ402-32	EJM508012BHCS	EJ1123-32	EJCST3.5D
3.071 - 3.345	EJOZ402-43	EJM610016BHCS	EJ1123-43	EJCSTB4M
3.346 - 3.621	EJOZ402-63	EJM610016BHCS	EJ1123-63	EJCSTB5
3.622 - 3.897	EJOZ402-43	EJM610016BHCS	EJ1123-43	EJCSTB4M
3.898 - 4.212	EJOZ402-63	EJM610016BHCS	EJ1123-63	EJCSTB5
4.213 - 5.353	EJOZ402-43	EJM610016BHCS	EJ1123-43	EJCSTB4M

CENTRAL CARTRIDGE(2)				
DRILL RANGE	CARTRIDGE	CARTRIDGE SCREW	INSERT	INSERT SCREW
1.496 - 1.771	EJIOZ05R	EJ305008SHCS	EJ1123-05	EJCSTB2.2
1.772 - 2.164	EJIOZ402-04	EJM3.506008SHCS	EJ1123-04	EJCSTB2.5
2.165 - 2.676	EJIOZ402-32	EJM508012SHCS	EJ1123-32	EJCSTB3.5D
2.677 - 3.621	EJIOZ402-43	EJM610016SHCS	EJ1123-43	EJCSTB4M
3.622 - 4.212	EJIOZ402-63	EJM610016SHCS	EJ1123-63	EJCSTB5
4.213 - 5.353	EJIOZ402-43	EJM610016SHCS	EJ1123-43	EJCSTB4M

INTERMEDIATE CARTRIDGE(3)				
DRILL RANGE	CARTRIDGE	CARTRIDGE SCREW	INSERT	INSERT SCREW
1.496 - 1.889	EJIOZ05R	EJ305008SHCS	EJ1123-05	EJCSTB2.2
1.890 - 2.282	EJIOZ402-04	EJM3.506008SHCS	EJ1123-04	EJCSTB2.5
2.283 - 2.676	EJIOZ402-32	EJM508012SHCS	EJ1123-32	EJCSTB3.5D
2.677 - 3.621	EJIOZ402-43	EJM610016SHCS	EJ1123-43	EJCSTB4M
3.622 - 4.212	EJIOZ402-63	EJM610016SHCS	EJ1123-63	EJCSTB5
4.213 - 4.645	EJIOZ402-32	EJM508012SHCS	EJ1123-32	EJCSTB3.5D
4.646 - 5.353	EJIOZ402-43	EJM610016SHCS	EJ1123-43	EJCSTB4M

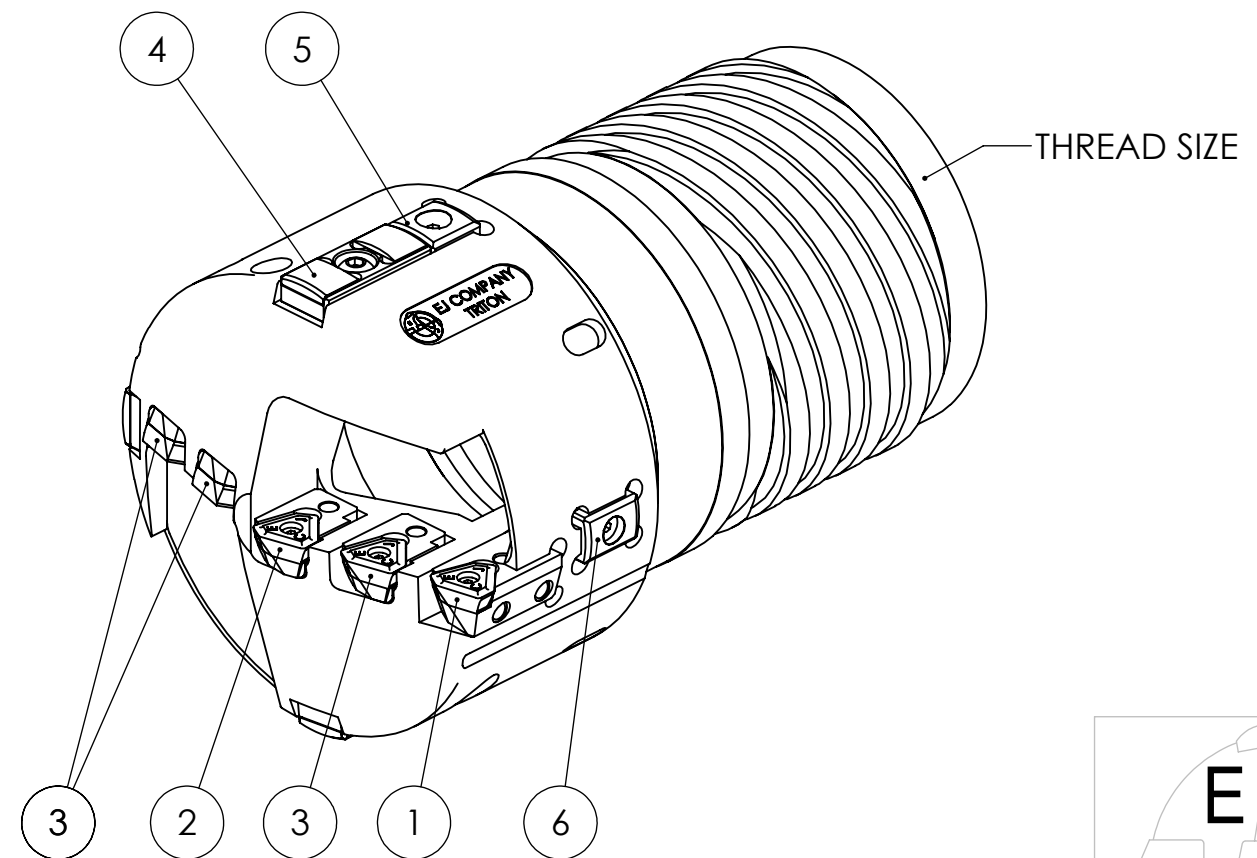
SUPPORT PADS(4) & GPT PADS(5)				
DRILL RANGE	SUPPORT PAD	PAD SCREW	GPT PAD	GPT SCREW
1.496 - 1.771	EJ-FL08SCIS	EJCSTB3S	EJGPT-08	EJCSTB3S
1.772 - 2.361	EJ-FL10SCIS	EJCSTB4S	EJGPT-10	EJCSTB4S
2.362 - 3.897	EJ-FL14SCIS	EJCSTB5S	EJGPT-14	EJSCTB5S
3.898 - 5.353	EJ-FL18SCIS	EJCSTB6S	EJGPT-18	EJCSTB6S

THREAD SIZE	
DRILL RANGE	THREAD SIZE
1.496 - 1.559	EJ420.5-808
1.560 - 1.692	EJ420.5-809
1.693 - 1.850	EJ420.5-810
1.851 - 2.035	EJ420.5-811
2.036 - 2.213	EJ420.5-812
2.214 - 2.559	EJ420.5-813
2.386 - 2.559	EJ420.5-813E
2.560 - 2.637	EJ420.5-814
2.638 - 2.873	EJ420.5-815
2.874 - 3.149	EJ420.5-816
3.150 - 3.424	EJ420.5-817
3.425 - 3.936	EJ420.5-818
3.937 - 4.408	EJ420.5-819
4.409 - 4.881	EJ420.5-820
4.882 - 5.353	EJ420.5-821

SUB GUIDE PAD(6)		
DRILL RANGE	CUG PAD	GUG SCREW
1.496 - 2.519	EJCUG-08	EJCSTB3S
2.520 - 3.897	EJCUG-10	EJCSTB3S
3.898 - 5.353	EJCUG-14	EJCSTB5S

NOTES:

1. 1.496" TO 4.212" USES THE THREE CRATRIDGE LAYOUT.
2. 4.213" TO 5.353" USES THE 5 CARTRIDGE LAYOUT.



PROPRIETARY AND CONFIDENTIAL  
THE INFORMATION CONTAINED IN THIS  
DRAWING IS THE SOLE PROPERTY OF  
EJ COMPANY. ANY REPRODUCTION IN  
PART OR AS A WHOLE WITHOUT THE  
WRITTEN PERMISSION OF EJ COMPANY  
IS PROHIBITED.

	NAME	DATE
DRAWN	WB	2/4/19
CHECKED		
ENG APPR.		
MFG APPR.		
Q.A.		

